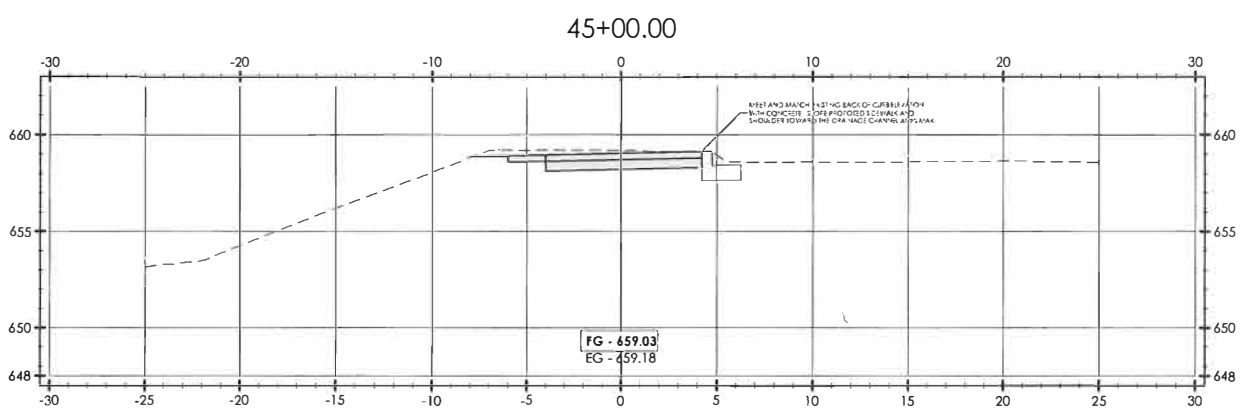
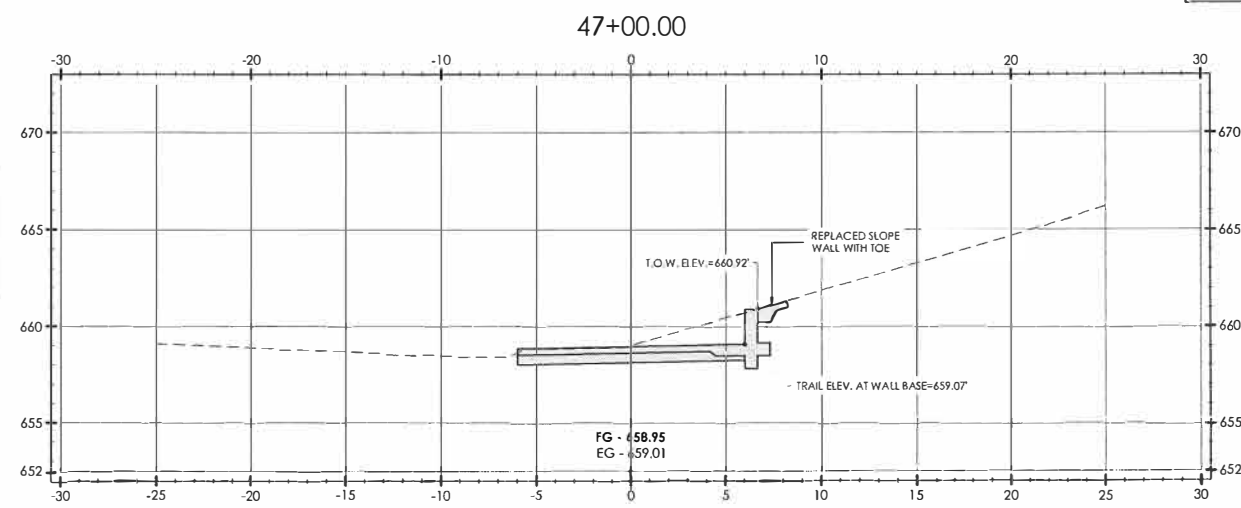


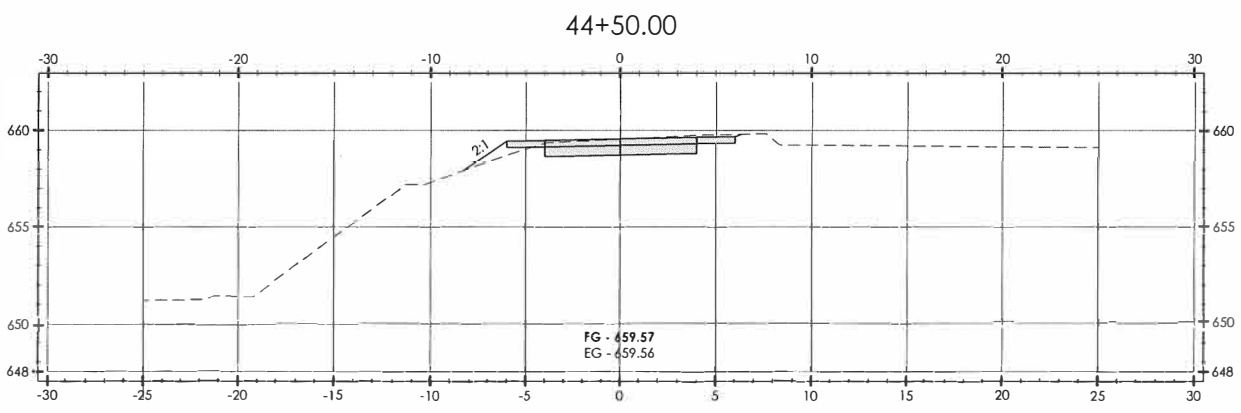
OKLAHOMA DEPARTMENT OF TRANSPORTATION					
FED. ROAD DIST. NO.	STATE	PROJ. NO.	FISCAL YEAR	SHEET NO.	TOTAL SHEETS
6	OKLA	2884(04)			
DESCRIPTION			REVISIONS	DATE	



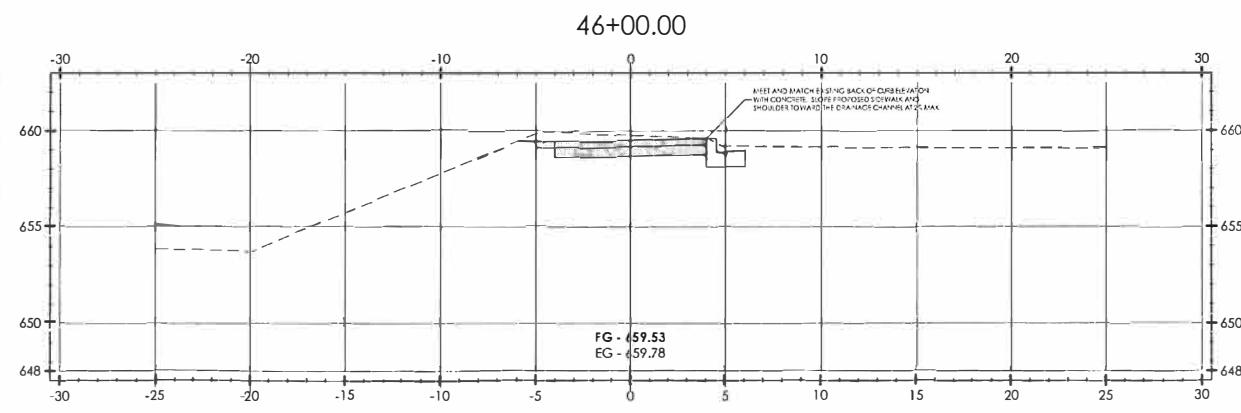
Trail Station 45+00.00	
Cut Area	9.82 SF
Cut Vol	16.40 CY
Fill Area	0.77 SF
Fill Vol	1.81 CY



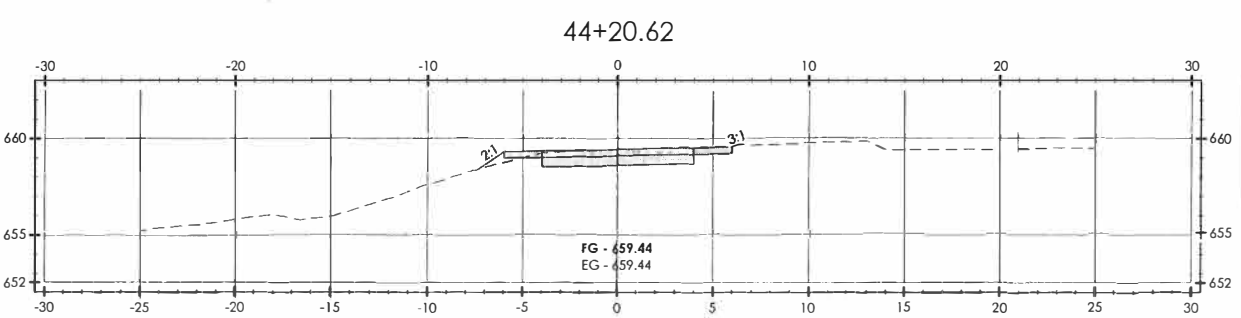
Trail Station 47+00.00	
Cut Area	15.76 SF
Cut Vol	8.62 CY
Fill Area	0.05 SF
Fill Vol	0.93 CY



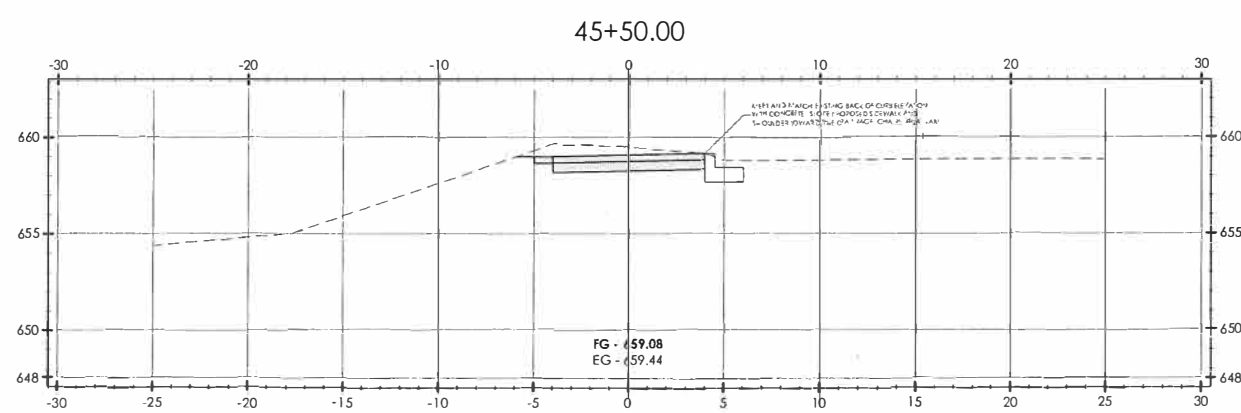
Trail Station 44+50.00	
Cut Area	7.92 SF
Cut Vol	8.67 CY
Fill Area	1.29 SF
Fill Vol	1.00 CY



Trail Station 46+00.00	
Cut Area	9.74 SF
Cut Vol	18.73 CY
Fill Area	0.00 SF
Fill Vol	24.00 CY

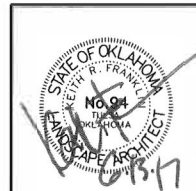


Trail Station 44+20.62	
Cut Area	7.97 SF
Cut Vol	0.00 CY
Fill Area	0.61 SF
Fill Vol	0.00 CY



Trail Station 45+50.00	
Cut Area	10.48 SF
Cut Vol	18.72 CY
Fill Area	25.92 SF
Fill Vol	22.82 CY

F:\682 Sand Springs Park Road Trail\Final\Civil 3D - Base Files\ParkRoadTrail-BASE-Final-R1.dwg, 6/12/2017 4:19:34 PM



City of Sand Springs - Park Road Trail		PREPARED BY LANDPLAN CONSULTANTS		Tulsa County	
Design	JM	7/16			
Drawn	JM/BB	8/16			
Checked	KF/JM	6/17			
Approved					
Squad	LandPlan				
STATE JOB NO. 2884(04)			Sheet No. 59 of 63		

CROSS SECTIONS SHEET (16)